

7. – 12. Juli 2026

# Bavarian Summer

auf Gut Matheshof in Kreuth

## Show

Golden Series Finale

45.000 Euro Preisgeld

4-fach AQHA-Show

NRHA (USA)-Show

NSBA-Show

VWB-Show

Jungferde-Cup

3.000 Euro Preisgeld

55.000 Euro Gesamtpreisgeld

ART & Light  
Photography

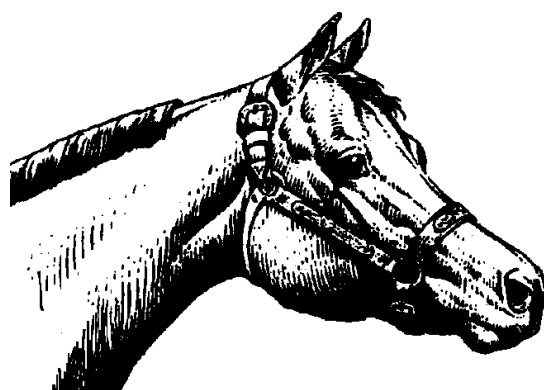
Westernreiter  
NSBA European Championship

Nähere Infos unter

[www.westernreiten-online.de](http://www.westernreiten-online.de)

Veranstalter: Vereinigung der Westernreiter in Bayern e.V.





# **PATTERNBOOK**

## **Bavarian Summer Show**

**7.-12. Juli 2026**

Bavarian Golden Series Finals  
NSBA-European Championship  
NRHA (USA)-Show  
VWB Kat I-Show  
4-fach AQHA-Show

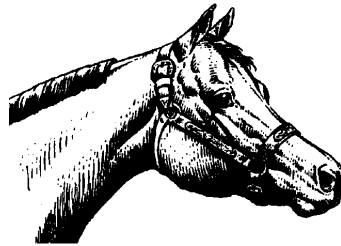
**Aktuelle Show-Infos unter [westernreiten-online.de](http://westernreiten-online.de)**

AMERICAN  
QUARTER  
**HORSE**  
ASSOCIATION

**NRHA**



# Patternübersicht



## Reining

8347	VWB	Novice Jugend Reining	VWB-Pattern	5
8348	VWB	Jugend Reining	VWB-Pattern	6
9340	VWB	Einsteiger Reining	VWB-Pattern	6
7340	VWB	Amateur / Amateur Select Reining	VWB-Pattern	6
6340	VWB	Offen Reining	VWB-Pattern	8
5055	VWB	Bavarian Golden Series Reining	VWB-Pattern	16
1341	AQHA	Open Junior Reining	AQHA-Pattern	8
1342	AQHA	Open Senior Reining	AQHA-Pattern	4
1347	AQHA	Open Green Reining	AQHA-Pattern	6
234x	AQHA	Amateur / Amateur Select Reining	AQHA-Pattern	3
3340	AQHA	Novice Amateur Reining	AQHA-Pattern	14
4340	AQHA	Youth Reining	AQHA-Pattern	6
1100	NRHA	Open Trophy	NRHA-Pattern	1
1200	NRHA	Intermediate Open	NRHA-Pattern	15
1400	NRHA	Non Pro Trophy	NRHA-Pattern	11
1500	NRHA	Intermediate Non Pro	NRHA-Pattern	6
3100	NRHA	Youth 14-18	NRHA-Pattern	5
3200	NRHA	Youth 0-13	NRHA-Pattern	5

## Western Riding

6360	VWB	Offen Western Riding	VWB-Pattern	1
7360	VWB	Amateur Western Riding	VWB-Pattern	6
9360	VWB	Einsteiger Western Riding	Green-Pattern	L1 1
5057	VWB	Bavarian Golden Series Western Riding	VWB-Pattern	6
1360	AQHA	Open Western Riding	AQHA-Pattern	4
1363	AQHA	Green Western Riding	Green-Pattern	L1 2
2360	AQHA	Amateur Western Riding	AQHA-Pattern	2
3360	AQHA	Novice Amateur Western Riding	Green-Pattern	L1 2

## Ranch Riding

6430	VWB	Offen Ranch Riding	AQHA-Pattern	9
743x	VWB	Amateur / Amateur Select Ranch Riding	AQHA-Pattern	3
9430	VWB	Einsteiger Ranch Riding	AQHA-Pattern	1
8430	VWB	Jugend Ranch Riding	AQHA-Pattern	1
1430	AQHA	Open Ranch Riding	AQHA-Pattern	4
1434	AQHA	Green Ranch Riding	AQHA-Pattern	7
2430	AQHA	Amateur / Amateur Select Ranch Riding	AQHA-Pattern	8
3430	AQHA	Novice Amateur Ranch Riding	AQHA-Pattern	5
4430	AQHA	Youth Ranch Riding	AQHA-Pattern	5
5054	VWB	Bavarian Golden Series Ranch Riding	Seite	21

# Patternübersicht



## Western Combination

6600 VWB Western Combination Open VWB-Pattern 2

## Jungpferde

6840 VWB Jungpferde-Reining VWB-Pattern 1

6880 VWB Jungpferde-Trail VWB-Pattern 1

6890 VWB Jungpferde-Basis VWB-Pattern 1

## Trail

1381 AQHA Open Junior Trail Seite 9

1382 AQHA Open Senior Trail Seite 8

1383 AQHA Green Trail Seite 7

1389 AQHA Open Ranch Trail Seite 6

1384 AQHA Open Trail in Hand Seite 8

2380 AQHA Amateur / Amateur Select Trail Seite 9

2389 AQHA Amateur Ranch Trail Seite 6

3380 AQHA Novice Amateur Trail Seite 7

4380 AQHA Youth Trail Seite 10

6380 VWB Offen Trail Seite 10

6390 VWB Offen Ranch Trail Seite 12

6830 VWB Jungpferde-Cup Seite 11

7380 VWB Amateur / Amateur Select Trail Seite 13

7390 VWB Amateur Ranch Trail Seite 11

9380 VWB Einsteiger Trail Seite 15

8387 VWB Novice Jugend Seite 14

8388 VWB Jugend Seite 14

5050 VWB Bavarian Golden Series Trail Seite 13

5056 VWB Bavarian Limited Series Trail Seite 12

5006 NSBA Open Trail in Hand Seite 8

## Showmanship

VWB alle Showmanship VWB Seite 16 / 17

AQHA alle Showmanship AQHA Seite 18

5052 VWB Bavarian Golden Series Showmanship Seite 15

## Horsemanship

VWB alle Horsemanship VWB Seite 19

AQHA alle Horsemanship AQHA Seite 20

5053 VWB Bavarian Golden Series Horsemanship Seite 21

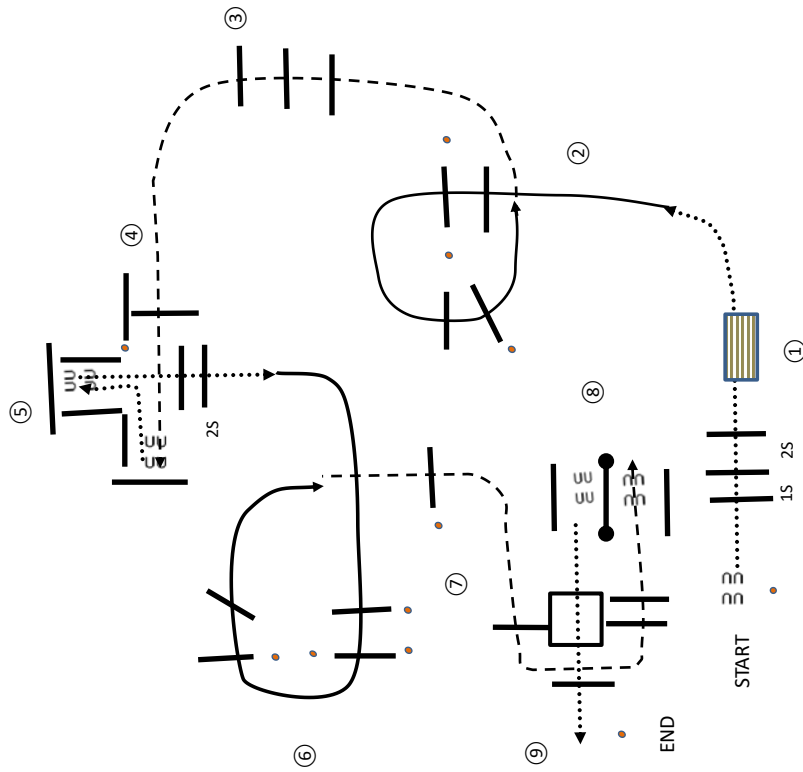
## Hunt Seat Equitation

AQHA alle Hunt Seat Equitation AQHA Seite 22



WEDNESDAY 8.7.26

1383 AQHA GREEN TRAIL

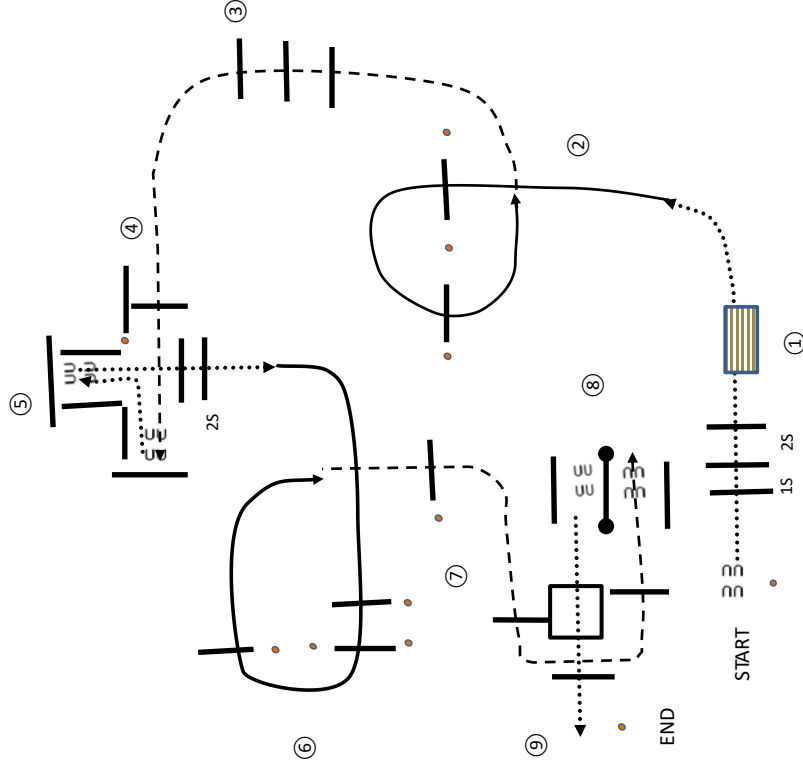


- 1 WALK OVERS-BRIDGE
- 2 LL LOPE OVERS
- 3 JOG OVERS
- 4 JOG OVER INTO CHUTE-STOP
- 5 BACK L INTO CHUTE-WALK OUT OVER POLES
- 6 RL LOPE OVERS
- 7 BREAK TO JOG-JOG OVERS TO GATE STOP
- 8 LH GATE OPEN RIDE THROUGH CLOSE
- 9 WALK OVERS-PATTERN ENDS AT MARKER

ANNDENNISDESIGN COPYRIGHT 2026  
ALL RIGHTS RESERVED

WEDNESDAY 8.7.26

3380 AQHA NOV AMATEUR TRAIL

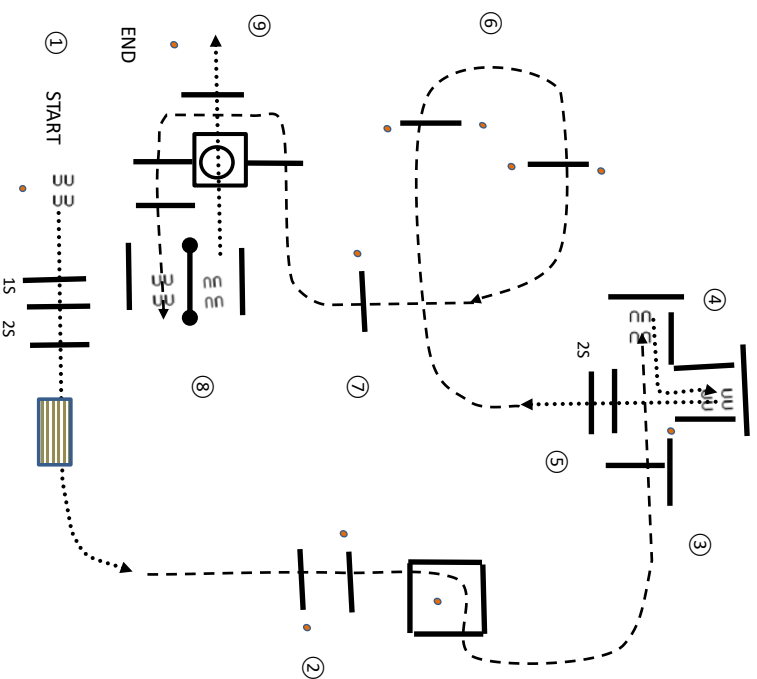


- 1 WALK OVERS-BRIDGE
- 2 LL LOPE OVERS
- 3 JOG OVERS
- 4 JOG OVER INTO CHUTE-STOP
- 5 BACK L INTO CHUTE-WALK OUT OVER POLES
- 6 RL LOPE OVERS
- 7 BREAK TO JOG-JOG OVERS TO GATE STOP
- 8 LH GATE OPEN RIDE THROUGH CLOSE
- 9 WALK OVERS-PATTERN ENDS AT MARKER

ANNDENNISDESIGN COPYRIGHT 2026  
ALL RIGHTS RESERVED

WEDNESDAY 8.7.26

1384 AQHA TRAIL IN HAND  
5006 NSBA TRAIL IN HAND

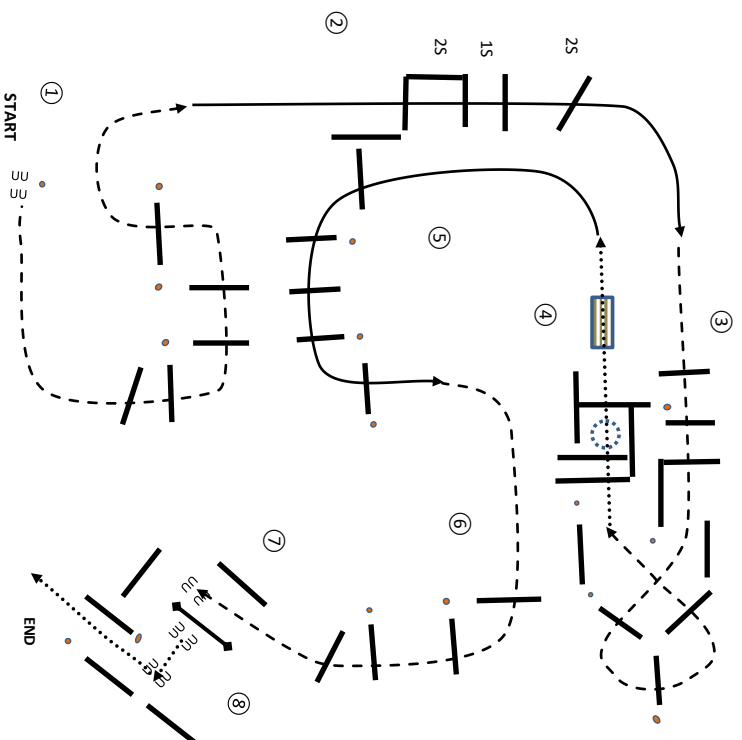


- 1 WALK OVERS-BRIDGE
- 2 TROT OVERS
- 3 TROT OVER INTO CHUTE-STOP
- 4 BACK L INTO CHUTE
- 5 WALK OUT OVER POLES
- 6 TROT OVERS
- 7 TROT OVERS TO GATE STOP
- 8 LH GATE OPEN LEADTHROUGH CLOSE
- 9 WALK OVER INTO BOX-360 RIGHT-WALK OVERS-PATTERN ENDS AT MARKER

ANNDENNISDESIGN COPYRIGHT 2026  
ALL RIGHTS RESERVED

THURSDAY 9.7.26

1382 AQHA SENIOR HORSE TRAIL



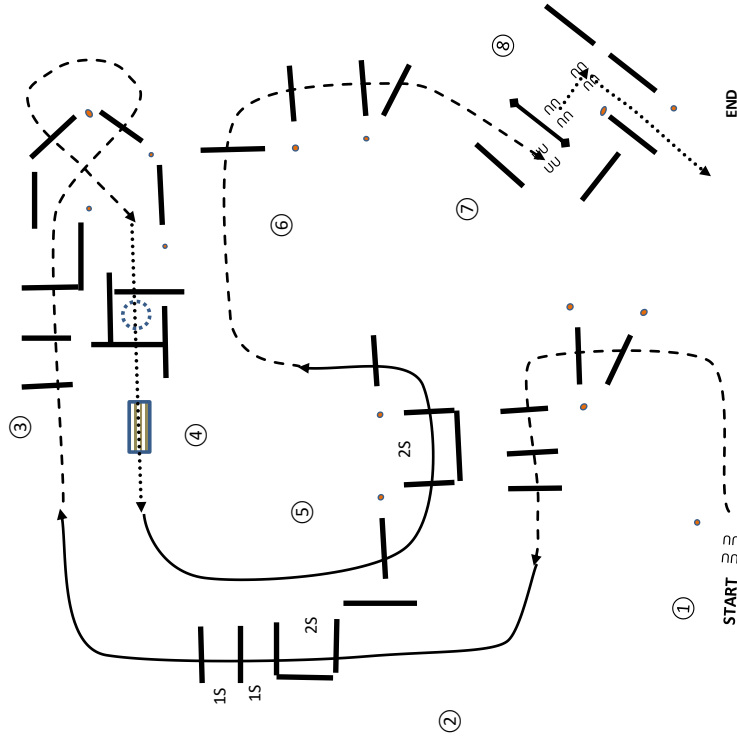
- 1 SERPENTINE JOG OVERS
- 2 RL LOPE OVERS-BREAK TO JOG
- 3 SERPENTINE JOG OVERS
- 4 STOP OR BREAK TO A WALK-WALK OVER INTO BOX-360 R OR L-WALK OVER-BRIDGE
- 5 LL LOPE OVERS-BREAK TO JOG
- 6 JOG OVERS TO GATE-STOP
- 7 LH GATE-OPEN RIDE THRU CLOSE
- 8 SIDE PASS RIGHT TO CHUTE-BACK OUT CHUTE TO END PATTERN

PATTERN ENDS AT MARKER

ANNDENNISDESIGN COPYRIGHT 2026  
ALL RIGHTS RESERVED

THURSDAY 9.7.26

2380 AQHA AMATEUR TRAILAIL  
2388 AQHA AMATEUR SELECT TRAIL



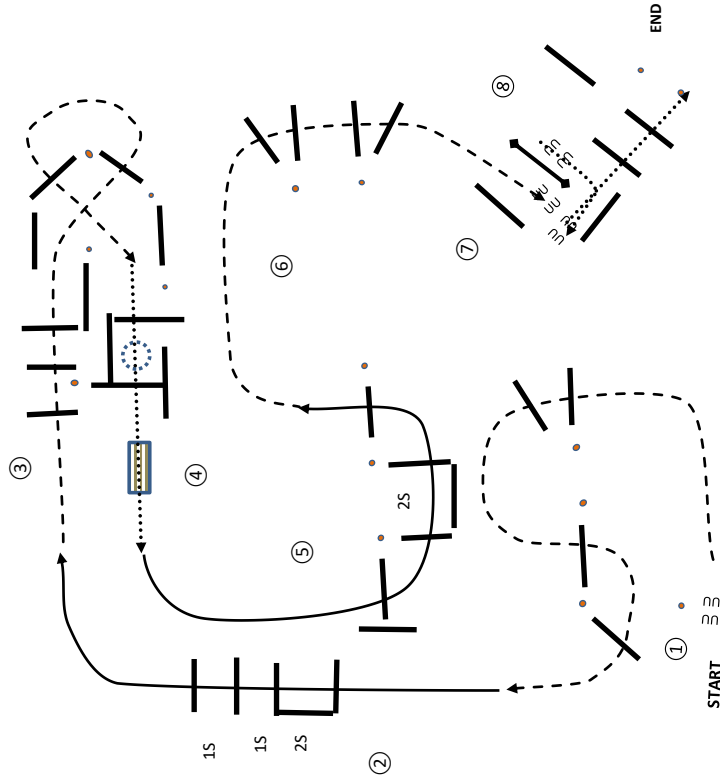
- 1 SERPENTINE JOG OVERS
- 2 RL LOPE OVERS-BREAK TO JOG
- 3 SERPENTINE JOG OVERS
- 4 STOP OR BREAK TO A WALK-WALK OVER INTO BOX-360 R OR L-WALK OVER -BRIDGE
- 5 LL LOPE OVERS-BREAK TO JOG
- 6 JOG OVERS TO GATE-STOP
- 7 LH GATE-OPEN RIDE THRU CLOSE
- 8 SIDE PASS RIGHT TO CHUTE-BACK OUT CHUTE TO END PATTERN

PATTERN ENDS AT MARKER

AN DENNIS DESIGN COPYRIGHT 2026  
ALL RIGHTS RESERVED

THURSDAY 9.7.26

1381 AQHA JR HORSE TRAIL



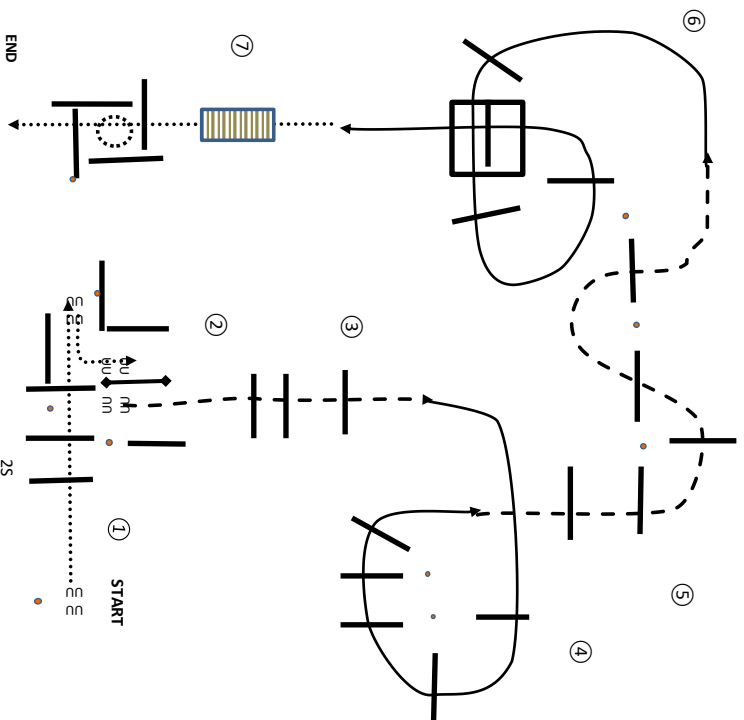
- 1 SERPENTINE JOG OVERS
- 2 RL LOPE OVERS-BREAK TO JOG
- 3 SERPENTINE JOG OVERS
- 4 STOP OR BREAK TO A WALK-WALK OVER INTO BOX-360 R OR L-WALK OVER -BRIDGE
- 5 LL LOPE OVERS-BREAK TO JOG
- 6 JOG OVERS TO GATE-STOP
- 7 LH GATE-OPEN RIDE THRU CLOSE
- 8 BACK L OUT INTO CHUTE -WALK OUT CHUTE OVER POLES

PATTERN ENDS AT MARKER

AN DENNIS DESIGN COPYRIGHT 2026  
ALL RIGHTS RESERVED

FRIDAY 10.7.26

6380 WVB TRAIL ALL AGES OPEN



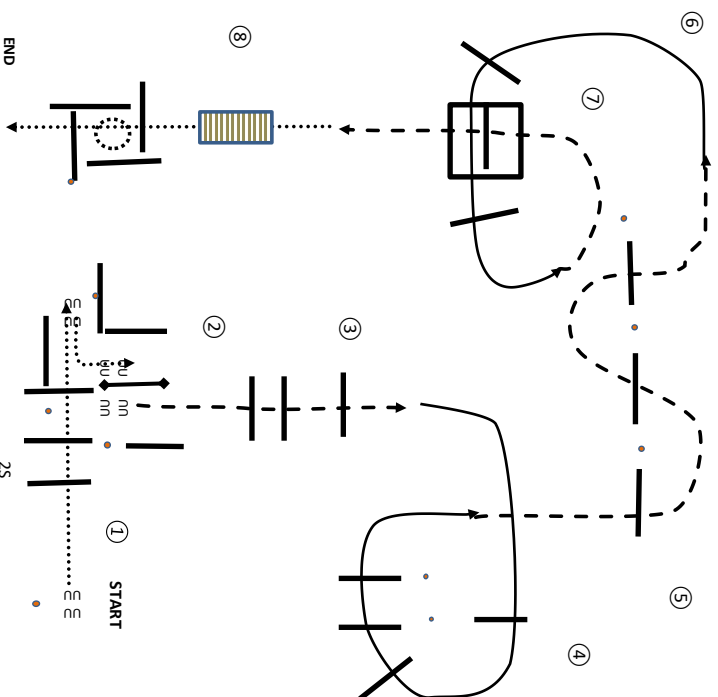
- 1 WALK OVERS INTO CHUTE-STOP
  - 2 BACK TO GATE-LH GATE OPEN RIDE THROUGH CLOSE
  - 3 JOG OVERS
  - 4 RL LOPE OVERS
  - 5 SERPENTINE JOG OVERS
  - 6 LL LOPE OVERS
  - 7 STOP OR BREAK TO A WALK-BRIDGE-WALK OVER INTO BOX-360 EITHER WAY-WALK OVER POLE
- PATTERN ENDS AT MARKER

ANNDENNISDESIGN COPYRIGHT 2026  
ALL RIGHTS RESERVED

Pattern

FRIDAY 10.7.26

4380 AQHA YOUTH

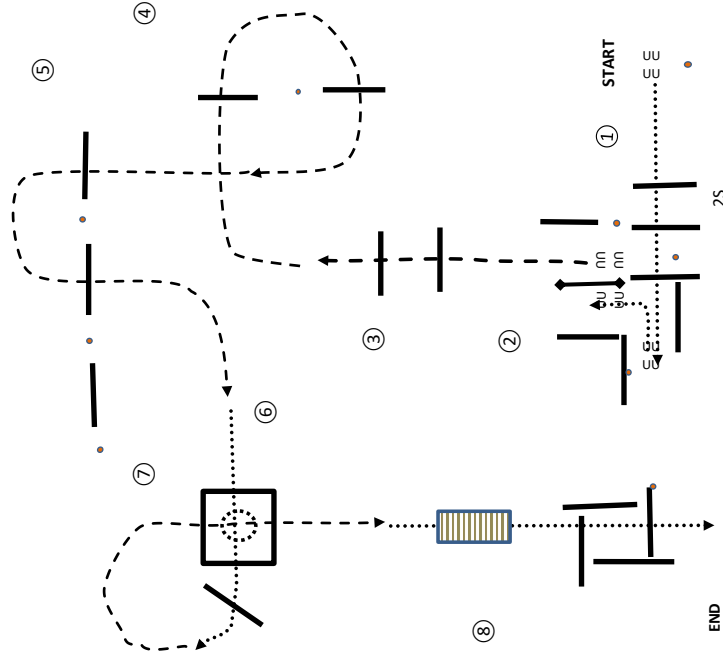


- 1 WALK OVERS INTO CHUTE-STOP
  - 2 BACK TO GATE-LH GATE OPEN RIDE THROUGH CLOSE
  - 3 JOG OVERS
  - 4 RL LOPE OVERS
  - 5 SERPENTINE JOG OVERS
  - 6 LL LOPE OVERS
  - 7 BREAK TO JOG-JOG OVERS
  - 8 STOP OR BREAK TO A WALK-BRIDGE-WALK OVER INTO BOX-360 EITHER WAY-WALK OVER POLE
- PATTERN ENDS AT MARKER

ANNDENNISDESIGN COPYRIGHT 2026  
ALL RIGHTS RESERVED

FRIDAY 10.7.26

6830 VWB TRAIL IN HAND JUNGPFERDE-CUP



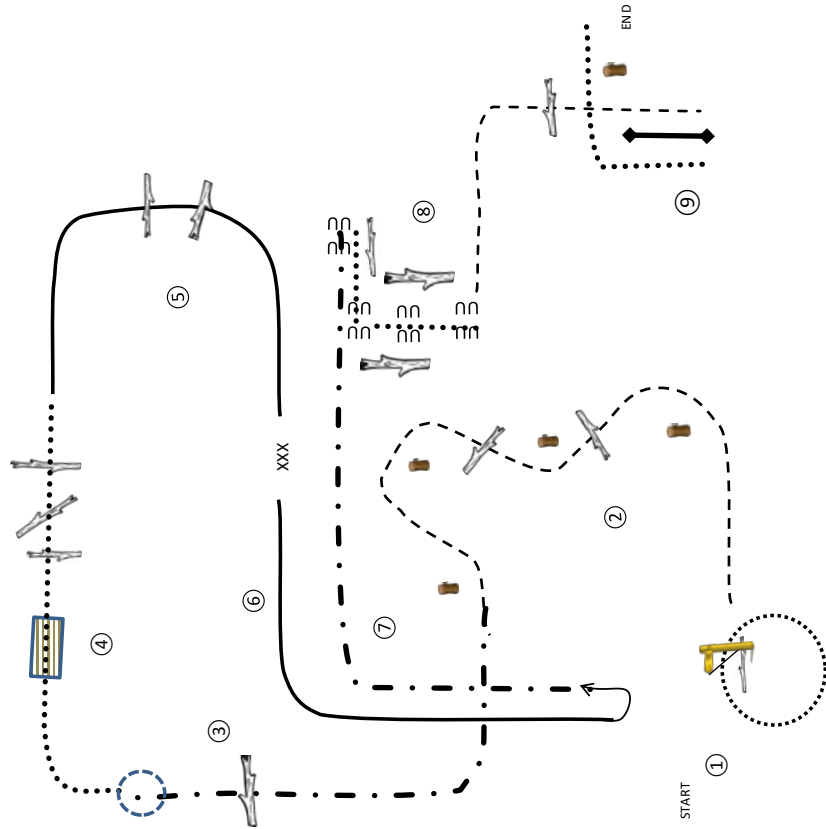
- 1 WALK OVERS INTO CHUTE-STOP
- 2 BACK TO GATE-LH GATE OPEN WALK THROUGH CLOSE
- 3 TROT OVERS
- 4 TROT OVERS
- 5 SERPENTINE TROT OVERS
- 6 STOP OR BREAK TO A WALK-WALK OVER INTO BOX-STOP-360 RIGHT-WALK OVERS
- 7 TROT OVERS
- 8 STOP OR BREAK TO A WALK-BRIDGE-WALK OVERS

PATTERN ENDS AT MARKER

ADENNISDESIGN COPYRIGHT 2026  
ALL RIGHTS RESERVED

SATURDAY 11.7.26

7390 VWB RANCH TRAIL AMATEUR

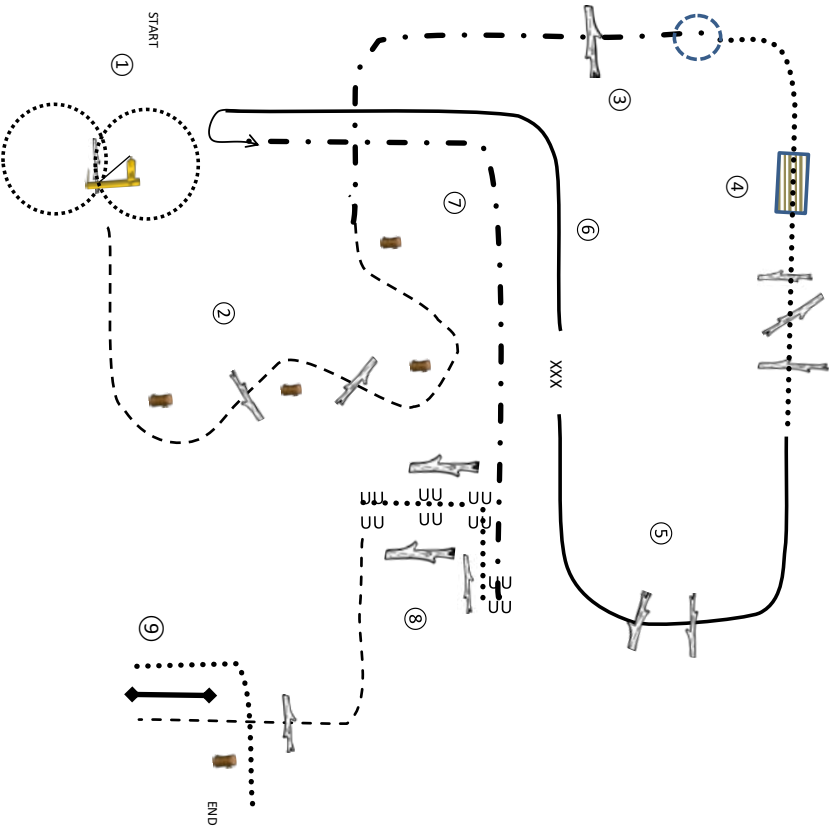


- 1 DRAG LOG RIGHT CIRCLE AT WALK OR TROT- BRING LOG BACK TO START
- 2 TROT SERPENTINE AROUND STUMPS-OVER LOGS
- 3 EXTENDED TROT OVER LOG-CONTINUE EX TROT UP SIDE OF ARENA-STOP-360 R OR L
- 4 WALK AROUND CORNER—BRIDGE-WALK OVERS
- 5 RL LOPE OVER LOGS
- 6 CHANGE LEADS SIMPLE OR FLYING-LL LOPE
- 7 STOP L ROLLBACK-EXTENDED TROT OUT
- 8 STOP-BACK TO CHUTE STOP-SIDE PASS THROUGH CHUTE
- 9 TROT OVER LOG TO GATE-STOP-WORK GATE-WALK OUT PAST STUMP  
PATTERN ENDS AT STUMP

ADENNISDESIGN 2026  
COPYRIGHT

SATURDAY 11.7.26

6390 VWB RANCH TRAIL OPEN

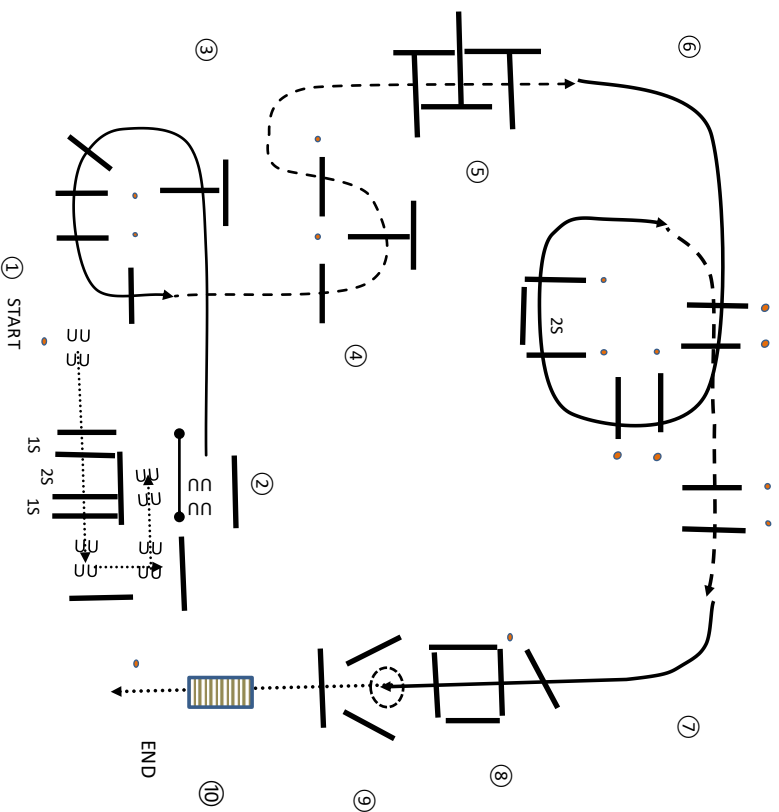


- 1 DRAG LOG FIGURE 8 AT WALK OR TROT - EITHER CIRCLE TO START - BRING LOG BACK TO START
  - 2 TROT SERPENTINE AROUND STUMPS-OVER LOGS
  - 3 EXTENDED TROT OVER LOG-CONTINUE EX TROT UP SIDE OF ARENA-STOP-360 R OR L
  - 4 WALK AROUND CORNER—BRIDGE-WALK OVERS
  - 5 RL LOPE OVER LOGS
  - 6 CHANGE LEADS SIMPLE OR FLYING-LL LOPE
  - 7 STOP L ROLLBACK-EXTENDED TROT OUT
  - 8 TROT-BACK TO CHUTE STOP-SIDE PASS THROUGH CHUTE
  - 9 TROT OVER LOG TO GATE-STOP-WORK GATE-WALK OUT PAST STUMP
- PATTERN ENDS AT STUMP

ADENNISDESIGN 2026  
COPYRIGHT

SATURDAY 11.7.26

5056 LIMITED SERIES TRAIL

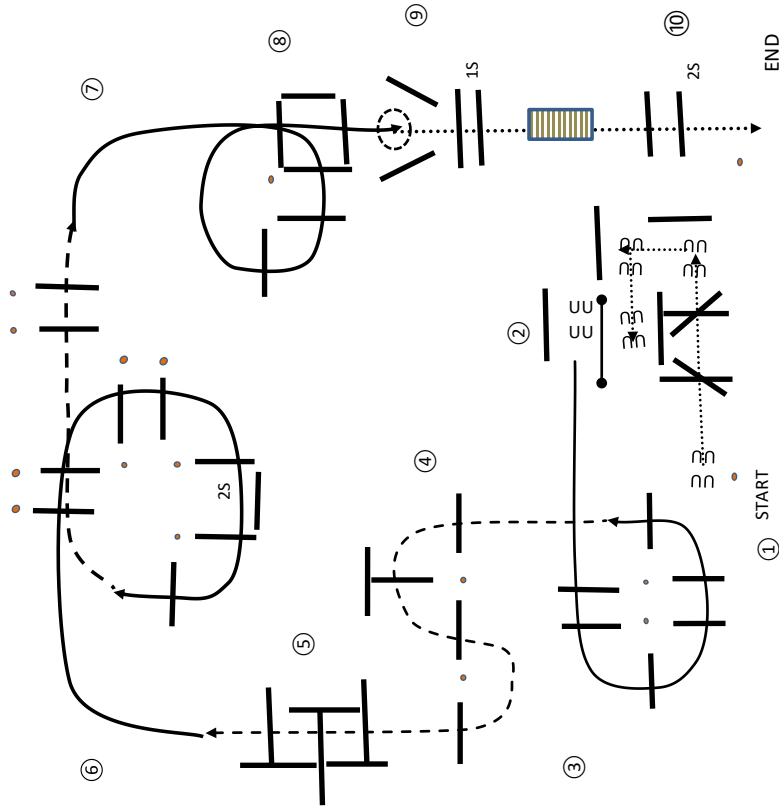


- 1 WALK OVERS-STOP -SIDE PASS LEFT
- 2 BACK TO GATE- LH GATE OPEN RIDE THROUGH CLOSE
- 3 LL LOPE OVERS
- 4 JOG OVERS
- 5 JOG THROUGH BOXES
- 6 RL LOPE OVERS-BREAK TO JOG
- 7 JOG OVERS
- 8 RL LOPE OVERS
- 9 STOP-360-R OR L
- 10 WALK OVERS-BRIDGE END OF PATTERN

ADENNISDESIGN 2026  
COPYRIGHT

SATURDAY 11.7.26

5050 GOLDEN SERIES TRAIL

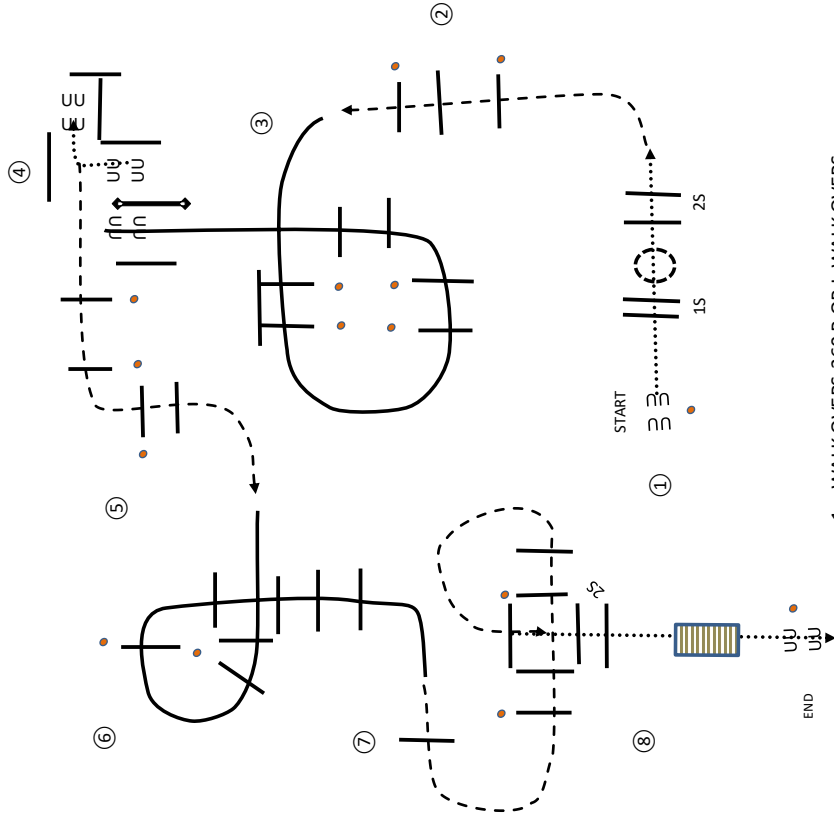


- 1 WALK OVER X'S-STOP -SIDE PASS LEFT
- 2 BACK TO GATE- LH GATE OPEN RIDE THROUGH CLOSE
- 3 LL LOPE OVERS
- 4 SERPENTINE JOG OVERS
- 5 JOG THROUGH BOXES
- 6 RL LOPE OVERS-BREAK TO JOG
- 7 JOG OVERS
- 8 RL LOPE OVERS
- 9 STOP-360-R OR L-WALK OVERS
- 10 BRIDGE -WALK OVERS END OF PATTERN

ADENNISDESIGN 2026  
COPYRIGHT

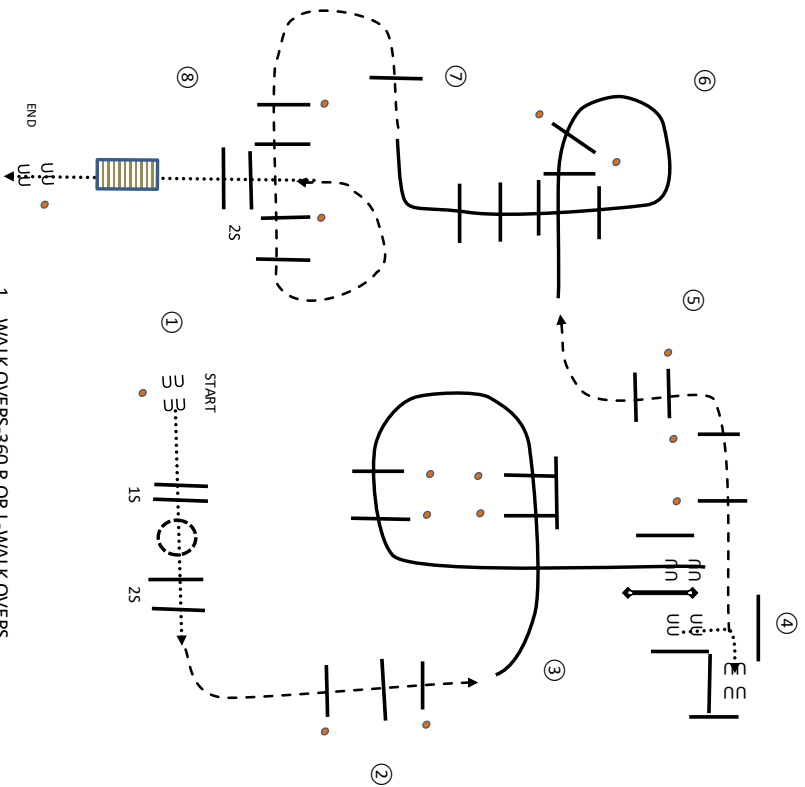
SUNDAY 12.7.26

7380 VWB AMATEUR TRAIL  
7388 VWB SELECT AMATEUR TRAIL



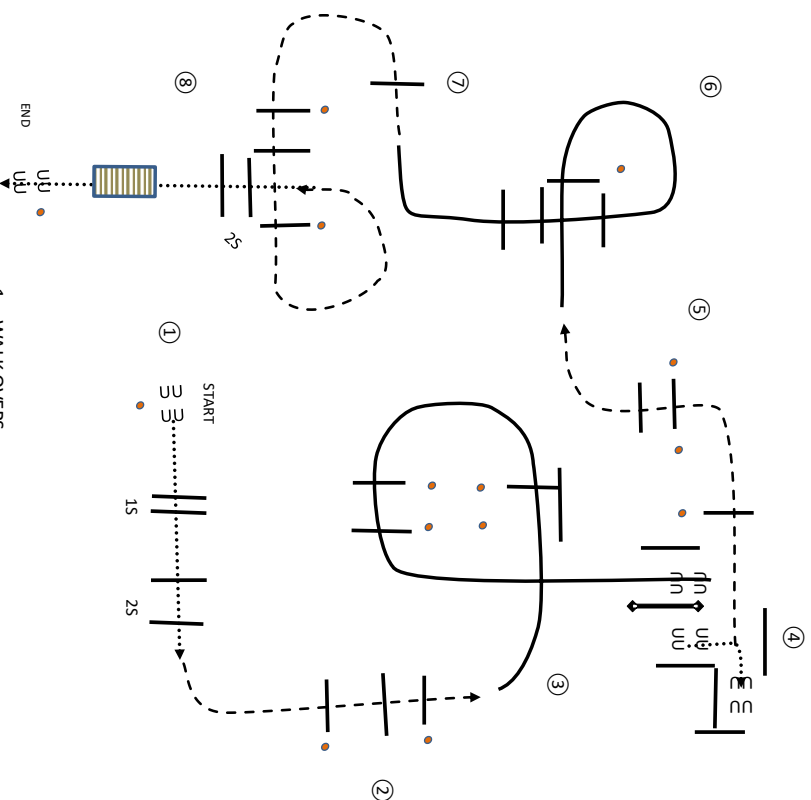
- 1 WALK OVERS-360 R OR L-WALK OVERS
  - 2 JOG OVERS
  - 3 LL LOPE OVERS-TO GATE-STOP
  - 4 RH GATE OPEN RIDE THROUGH CLOSE-BACK L INTO CHUTE
  - 5 JOG OUT CHUTE-JOG OVERS
  - 6 RL LOPE OVERS
  - 7 JOG OVERS
  - 8 STOP OR BREAK TO A WALK-WALK OVERS-BRIDGE
- PATTERN ENDS AT MARKER

ADENNISDESIGN COPYRIGHT 2026



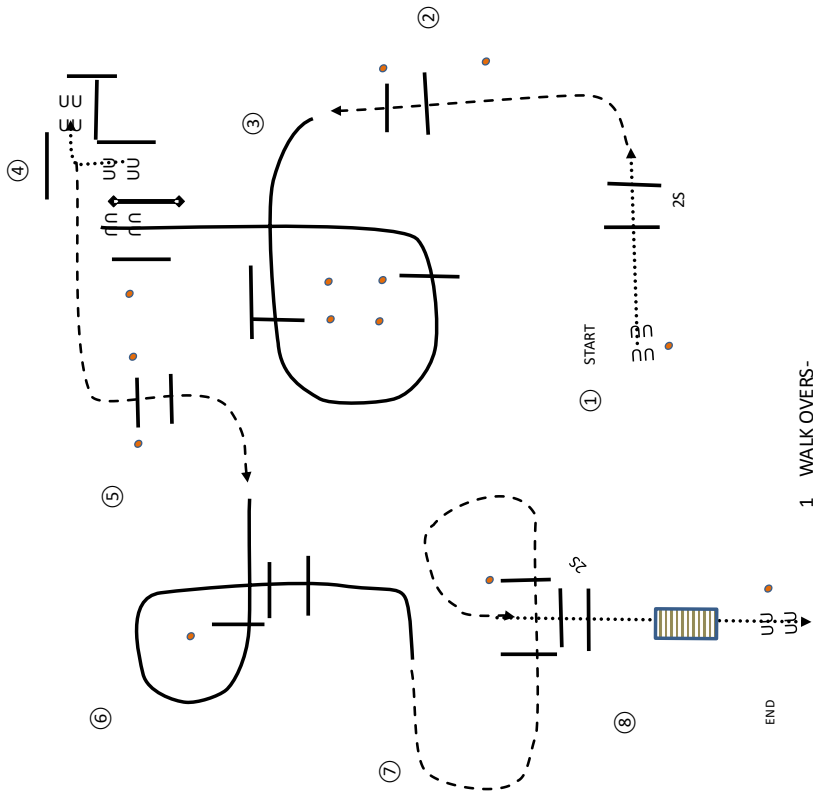
- 1 WALK OVERS-360 R OR L-WALK OVERS
  - 2 JOG OVERS
  - 3 LL LOPE OVERS-TO GATE-STOP
  - 4 RH GATE OPEN RIDE THROUGH CLOSE-BACK L INTO CHUTE
  - 5 JOG OUT CHUTE-JOG OVERS
  - 6 RL LOPE OVERS
  - 7 JOG OVERS
  - 8 STOP OR BREAK TO A WALK-WALK OVERS-BRIDGE
- PATTERN ENDS AT MARKER

ANNBENNISDESIGN COPYRIGHT 2026



- 1 WALK OVERS-
  - 2 JOG OVERS
  - 3 LL LOPE OVERS-TO GATE-STOP
  - 4 RH GATE OPEN RIDE THROUGH CLOSE-BACK L INTO CHUTE
  - 5 JOG OUT CHUTE-JOG OVERS
  - 6 RL LOPE OVERS
  - 7 JOG OVERS
  - 8 STOP OR BREAK TO A WALK-WALK OVERS-BRIDGE
- PATTERN ENDS AT MARKER

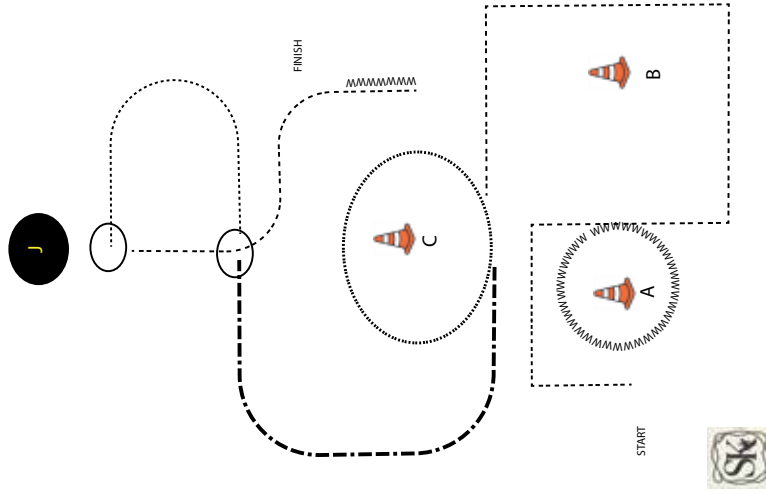
ANNBENNISDESIGN COPYRIGHT 2026



- 1 WALK OVERS-
- 2 JOG OVERS
- 3 LL LOPE OVERS-TO GATE-STOP
- 4 RH GATE OPEN RIDE THROUGH CLOSE-BACK L INTO CHUTE
- 5 JOG OUT CHUTE-JOG OVERS
- 6 RL LOPE OVERS
- 7 JOG OVERS
- 8 STOP OR BREAK TO A WALK-WALK OVERS-BRIDGE  
PATTERN ENDS AT MARKER

ANNBENNISDESIGN COPYRIGHT 2026

5052 Bavarian Golden Series Showmanship



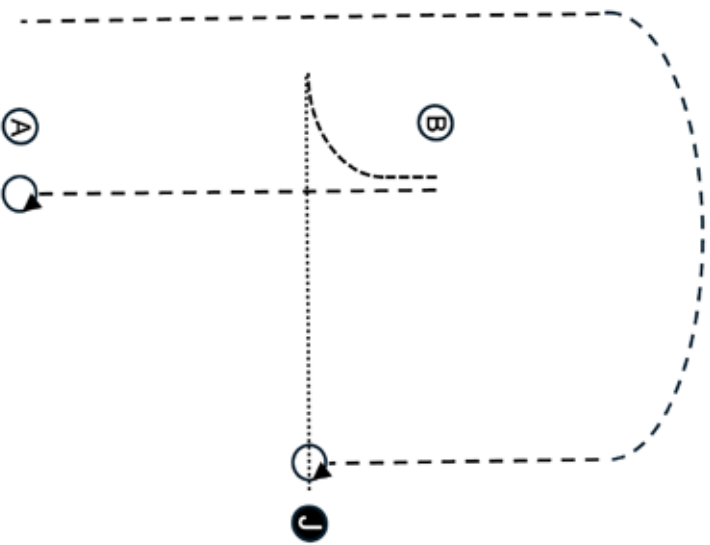
Be ready at marker A

1. Trot 2 square corners around marker A, stop
2. Back around marker A
3. Trot 3 square corners
4. Extended walk around marker C
5. Extended trot, stop
6. 360° turn

7. Walk and stop with hips aligned with judge
  8. 1 ¼ turn
  9. Set up
  10. Inspection
  11. Trot as drawn, stop
  12. Back up one horse length
- Pattern completed

Note: Judge for inspection walks to the left (clockwise), exhibitor stays on the right side of the horse at the end of the inspection!!!

VWB 8127 Novice Jugend Showmanship  
 VWB 9120 Einsteiger Showmanship

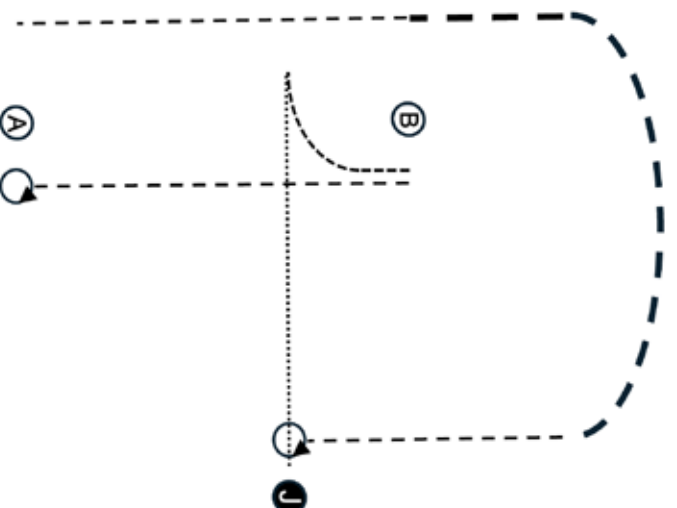


Be ready at A facing the entrance

1. Turn 180 °
2. Trot to B
3. Stop and back as drawn
4. Walk to Judge
5. Setup
6. Inspection
7. Turn 270 °
8. Trot

NOTE: The drawn description of this pattern is only intended for the general depictions of the pattern.  
 Contestants should utilize the arena space to best exhibit their horses.

VWB 8128 Jugend Showmanship  
 VWB 7120 Amateur Showmanship  
 VWB 7128 Amateur Select Showmanship



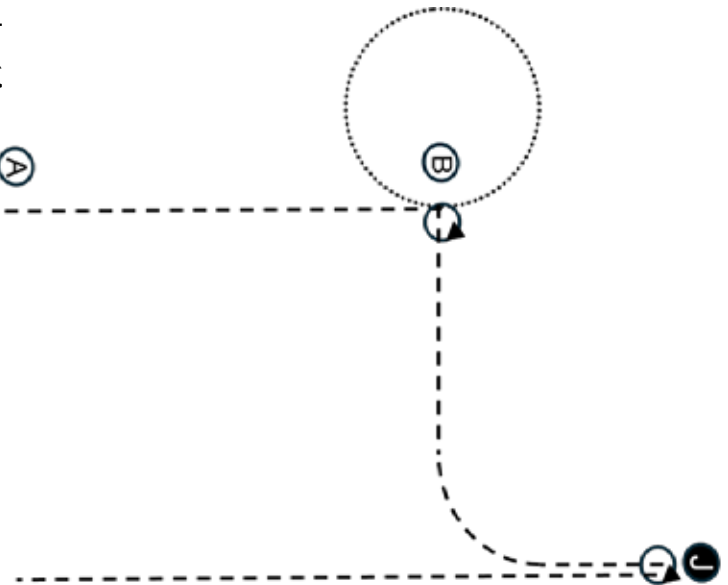
Be ready at A facing the entrance

1. Turn 540 °
2. Trot to B
3. Stop and back as drawn
4. Walk to Judge
5. Setup
6. Inspection
7. Turn 270 °
8. Trot
9. Extended trot, trot out

NOTE: The drawn description of this pattern is only intended for the general depictions of the pattern.  
 Contestants should utilize the arena space to best exhibit their horses.



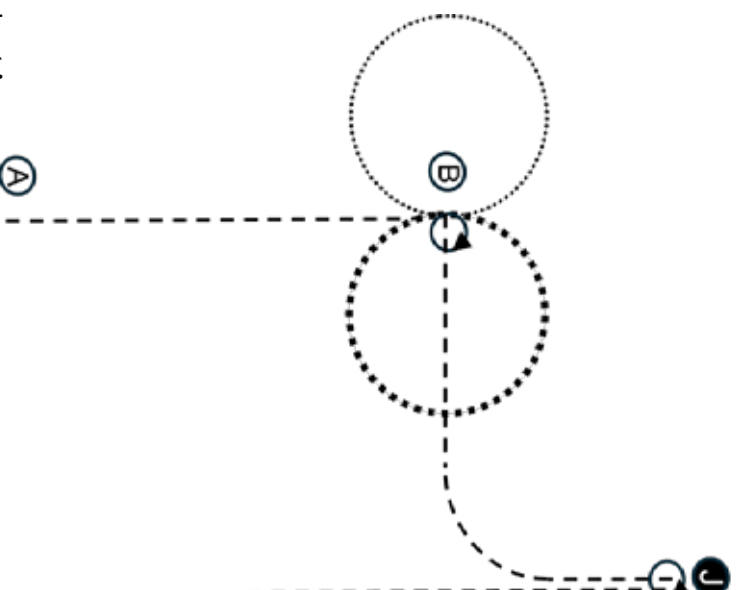
AQHA 4120 Youth Showmanship  
AQHA 3120 Novice Amateur Showmanship



- Be ready at A.
1. Trot to B
  2. Walk circle left around B
  3. Stop at B, turn 450 °
  4. Trot to Judge, stop
  5. Setup
  6. Inspection
  7. Turn 180 °
  8. Trot out

NOTE: The drawn description of this pattern is only intended for the general depictions of the pattern. Contestants should utilize the arena space to best exhibit their horses.

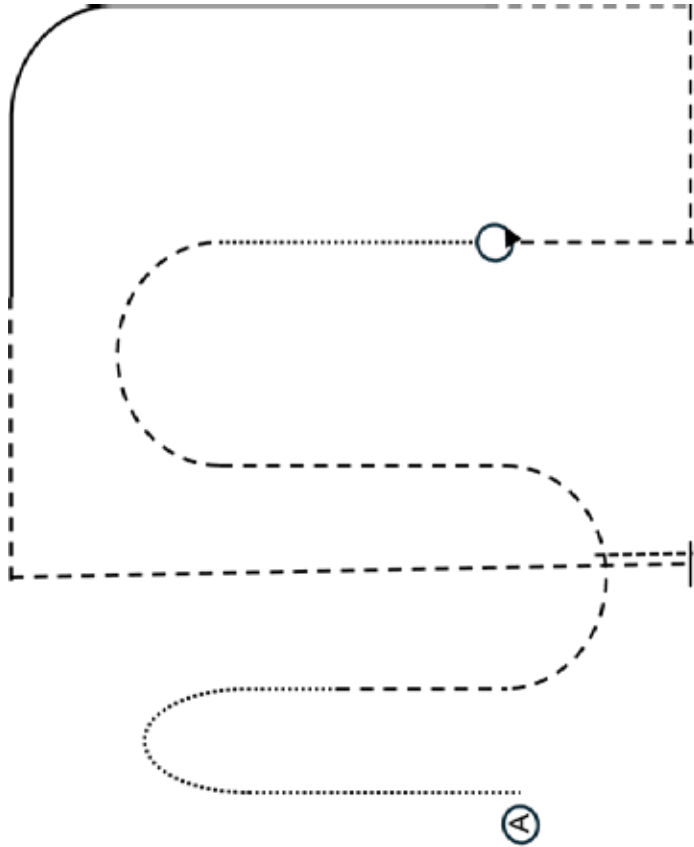
AQHA 2120 Amateur Showmanship



- Be ready at A
1. Trot to B
  2. Walk circle left around B
  3. Extended walk circle right
  4. Stop at B, turn 450 °
  5. Trot to Judge, stop
  6. Setup
  7. Inspection
  8. Turn 180 °
  9. Trot out

NOTE: The drawn description of this pattern is only intended for the general depictions of the pattern. Contestants should utilize the arena space to best exhibit their horses.

VWB 8407 Novice Jugend Horsemanship  
9120 VWB Einsteiger Horsemanship

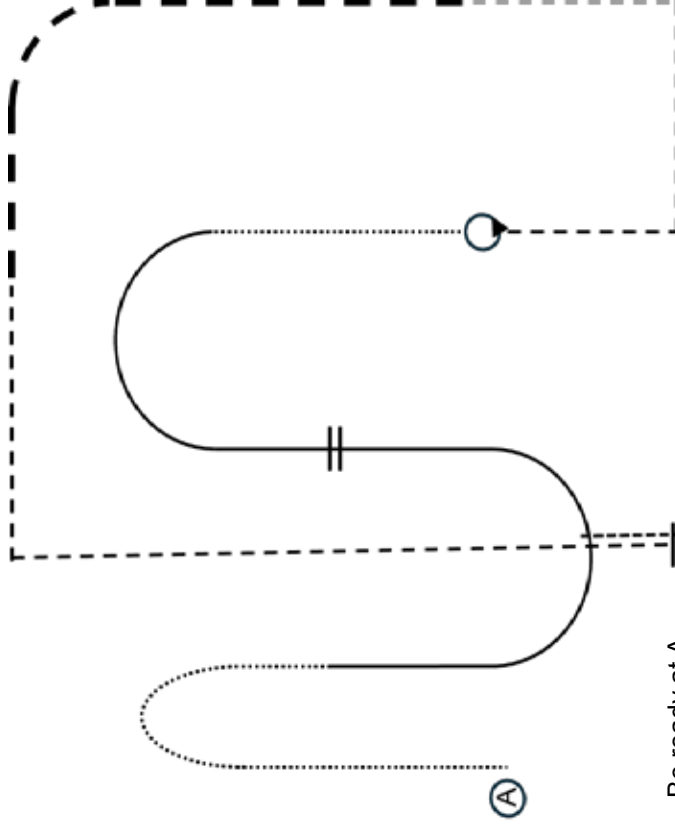


Be ready at A

1. Walk
2. Jog serpentine
3. Walk
4. Stop, turn left 360 °
5. Jog corners
6. Lope left lead
7. Jog corner
8. Stop, back

NOTE: The drawn description of this pattern is only intended for the general depictions of the pattern. Contestants should utilize the arena space to best exhibit their horses.

8408 VWB Jugend Horsemanship  
VWB 7400 Amateur Horsemanship  
VWB 7408 Amateur Horsemanship Select

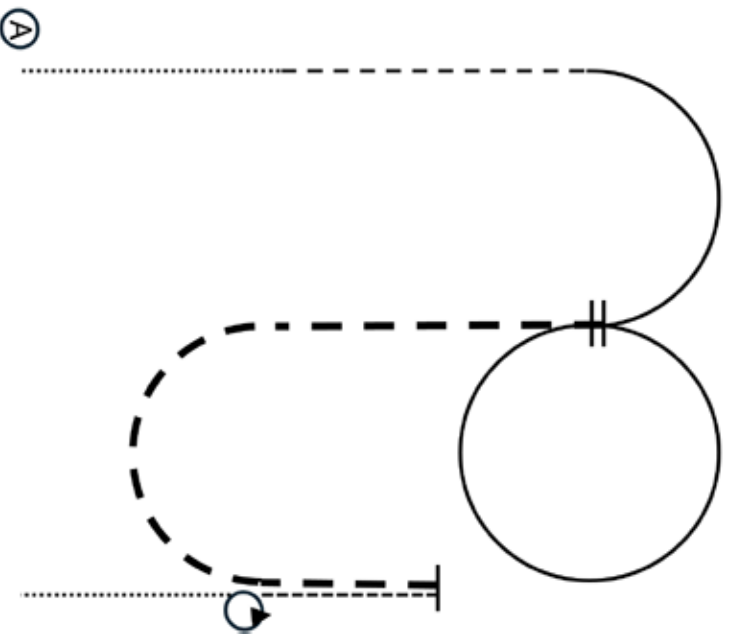


Be ready at A

1. Walk
2. Left lope
3. Lead change
4. Right lope
5. Walk
6. Stop, turn left 360 °
7. Jog corners
8. Extended jog, jog
9. Stop, back

NOTE: The drawn description of this pattern is only intended for the general depictions of the pattern. Contestants should utilize the arena space to best exhibit their horses.

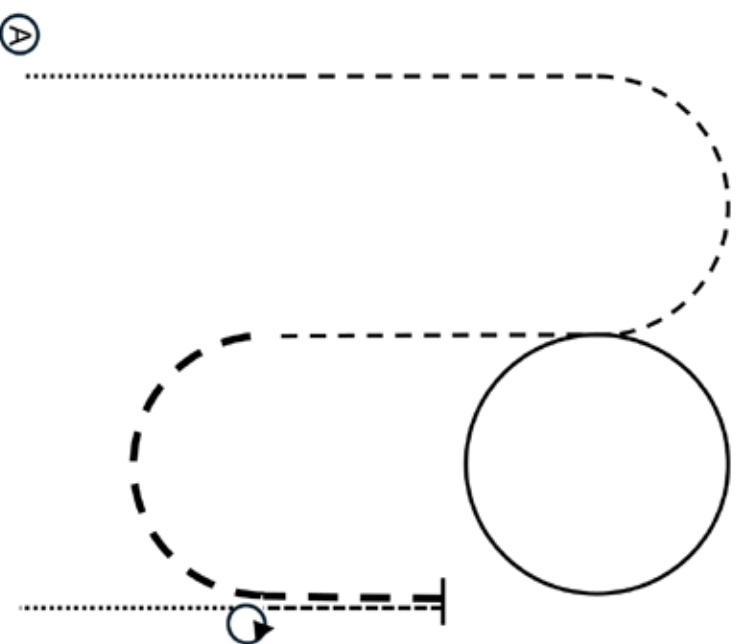
AQHA 2400 Amateur Horsemanship  
 AQHA 2408 Amateur Select Horsemanship



- Be ready at A
1. Walk
  2. Jog
  3. Lope right lead half circle
  4. Change lead
  5. Lope circle left lead
  6. Extended jog
  7. Stop and back
  8. Turn right 540 ° and walk out

NOTE: The drawn description of this pattern is only intended for the general depictions of the pattern. Contestants should utilize the arena space to best exhibit their horses.

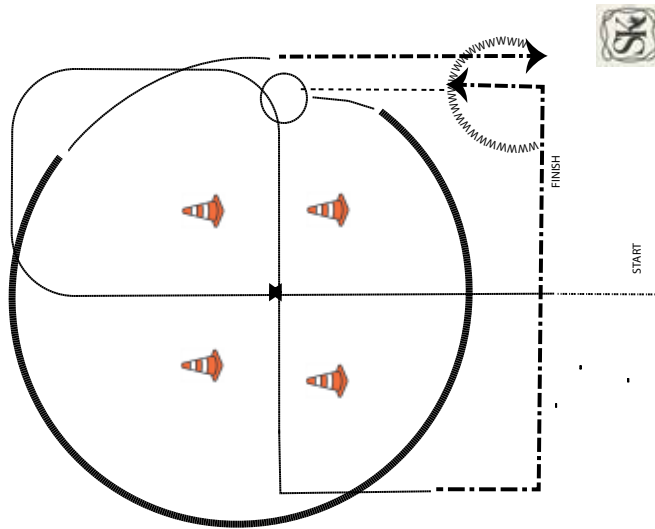
AQHA 4400 Youth Horsemanship  
 AQHA 3400 Novice Amateur Horsemanship



- Be ready at A
1. Walk
  2. Jog
  3. Lope circle left lead
  4. Jog, extended jog
  5. Stop and back
  6. Turn right 180 ° and walk out

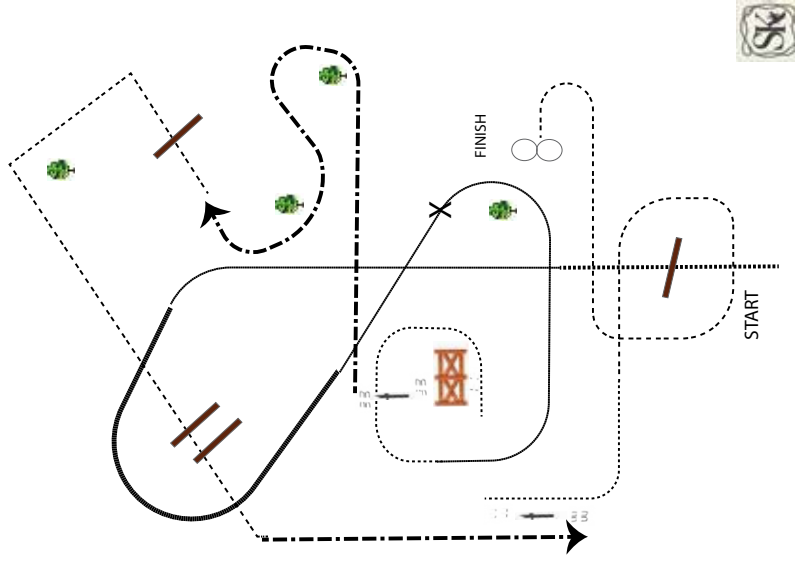
NOTE: The drawn description of this pattern is only intended for the general depictions of the pattern. Contestants should utilize the arena space to best exhibit their horses.

### 5053 Bavarian Golden Series Horsemanship



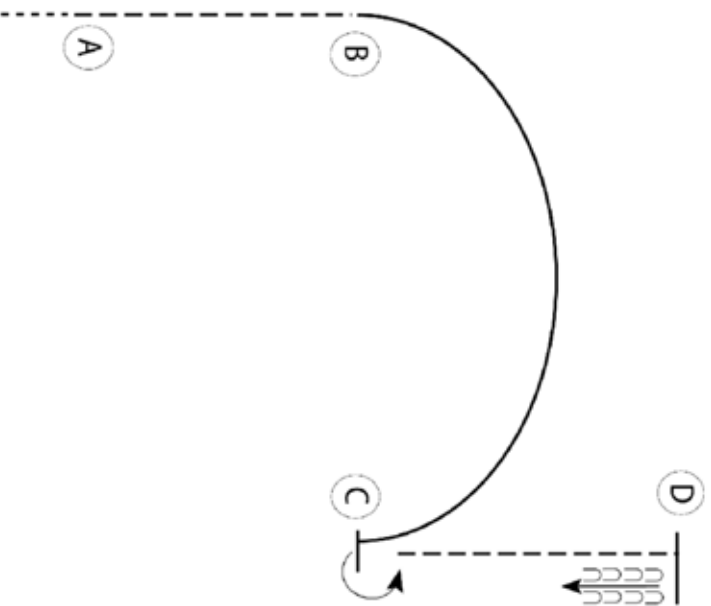
1. When acknowledged enter the arena at extended walk down the centerline
  2. Lope left lead
  3. Show a simple lead change through walk
  4. Pick up lope right lead and continue to centerline
  5. Change leads (simple or flying)
  6. Left lead lope and show a square corner
  7. Extended trot and show 2 square corners
  8. Jog and stop
  9. 1 1/2 turn left or right
  10. Pick up left lead lope (counter canter), build up to an extended lope, collected lope
  11. Extended trot, stop
  12. Back up in U-shape, stop
- Pattern completed

### 5054 Bavarian Golden Series Ranch Riding



1. Enter the arena at extended walk and over log
  2. Lope left lead down the center line
  3. Extended lope
  4. Collected lope and change leads (simple or flying)
  5. Lope right lead
  6. Walk around and stop at gate
  7. Work gate with right hand
  8. Sidepass left
  9. Extended trot and around plants
  10. Trot over log, show 2 square corners and trot over 2 logs
  11. Extended trot, stop
  12. Back up 2 horse lengths
  13. Walk
  14. Trot, stop,
  15. 360° turn left and right, either direction first
- Pattern completed

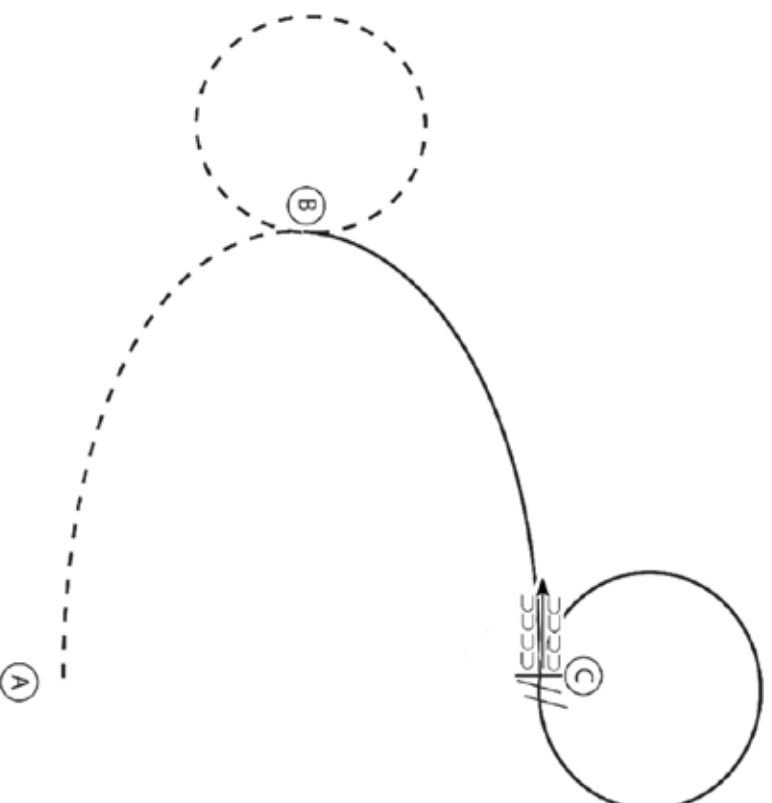
AQHA 3520 Novice Amateur Hunt Seat Equitation  
 AQHA 4520 Youth Hunt Seat Equitation



- Be ready before A.
1. Walk to A.
  2. Posting trot on the right diagonal from A to B.
  3. Canter on the right lead from B to C.
  4. At C stop and perform a 180 degree turn on the forehand to the left.
  5. Posting trot on the left diagonal to D.
  6. At D, stop and back approximately one horse length.

NOTE: The drawn description of this pattern is only intended for the general depictions of the pattern. Contestants should utilize the arena space to best exhibit their horses.

AQHA 2520 Amateur Hunt Seat Equitation



1. Posting trot A to B on the left diagonal
2. At B posting trot a circle to the left on the right diagonal
3. At B canter on the right lead to C
4. At C perform lead change and canter a circle to the left.
5. At C stop and back approximately one horse length

NOTE: The drawn description of this pattern is only intended for the general depictions of the pattern. Contestants should utilize the arena space to best exhibit their horses.